

/// L300



The robust L300 safety locking devices for safety applications up to SIL 3 / PL e are used to guard large safety doors or sliding gates as well as very large machines that have stopping times. The actuator is detected electronically by means of RFID technology. Through millions of different encodings, the actuators achieve a high encoding level acc. to EN ISO 14119 and thereby reliably prevent possible attempts at tampering. The L300 series is designed for use under rough environmental conditions.



Benefits:

- RFID actuator for maximum protection against tampering
- Robust design with 7,500 N locking force and degree of protection IP 67 / IP 69K for use under rough environmental conditions and under extreme stress
- 5-LED display for simple status overview
- Emergency unlock function (ergonomically optimized panic button) for manually opening the protective devices in the event of an emergency

Part no.	Part description	Contact allocation	Housing material	Connection	Cable entry	Encoding level	Teach input for actuator	Release device
50132040	L300-M41C3-SLM24-UCA	OSSDs	Metal	Terminal, spring-cage terminal, 16-pin	3x, M20 × 1.5	High	Yes	
50132048	L300-M41C3-SLM24-KYPB-UCA	OSSDs	Metal	Terminal, spring-cage terminal, 16-pin	3x, M20 × 1.5	High	Yes	Auxiliary release with lock, escape release button
50132057	L300-M41C3-SLM24-PB-UCA	OSSDs	Metal	Terminal, spring-cage terminal, 16-pin	3x, M20 × 1.5	High	Yes	Escape release button
50132041	L300-M41M12B8-SLM24-UCA	OSSDs	Metal	Connector, M12, 8-pin, metal	From below	High	Yes	
50132043	L300-M41M12L8-SLM24-UCA	OSSDs	Metal	Connector, M12, 8-pin, metal	On left side	High	Yes	
50132042	L300-M41M12R8-SLM24-UCA	OSSDs	Metal	Connector, M12, 8-pin, metal	On right side	High	Yes	
50132049	L300-M41M12B8-SLM24-KYPB-UCA	OSSDs	Metal	Connector, M12, 8-pin, metal	From below	High	Yes	Auxiliary release with lock, escape release button
50132058	L300-M41M12B8-SLM24-PB-UCA	OSSDs	Metal	Connector, M12, 8-pin, metal	From below	High	Yes	Escape release button
50132051	L300-M41M12L8-SLM24-KYPB-UCA	OSSDs	Metal	Connector, M12, 8-pin, metal	On left side	High	Yes	Auxiliary release with lock, escape release button
50132060	L300-M41M12L8-SLM24-PB-UCA	OSSDs	Metal	Connector, M12, 8-pin, metal	On left side	High	Yes	Escape release button
50132050	L300-M41M12R8-SLM24-KYPB-UCA	OSSDs	Metal	Connector, M12, 8-pin, metal	On right side	High	Yes	Auxiliary release with lock, escape release button
50132059	L300-M41M12R8-SLM24-PB-UCA	OSSDs	Metal	Connector, M12, 8-pin, metal	On right side	High	Yes	Escape release button
50132201	L300-M31C3-SLM24-UCA	OSSDs	Metal	Terminal, spring-cage terminal, 16-pin	3x, M20 × 1.5	High	No	
50132210	L300-M31C3-SLM24-KYPB-UCA	OSSDs	Metal	Terminal, spring-cage terminal, 16-pin	3x, M20 × 1.5	High	No	Auxiliary release with lock, escape release button
50132216	L300-M31C3-SLM24-PB-UCA	OSSDs	Metal	Terminal, spring-cage terminal, 16-pin	3x, M20 × 1.5	High	No	Escape release button
50132202	L300-M31M12B8-SLM24-UCA	OSSDs	Metal	Connector, M12, 8-pin, metal	From below	High	No	
50132204	L300-M31M12L8-SLM24-UCA	OSSDs	Metal	Connector, M12, 8-pin, metal	On left side	High	No	
50132203	L300-M31M12R8-SLM24-UCA	OSSDs	Metal	Connector, M12, 8-pin, metal	On right side	High	No	
50132213	L300-M31M12B8-SLM24-KYPB-UCA	OSSDs	Metal	Connector, M12, 8-pin, metal	From below	High	No	Auxiliary release with lock, escape release button
50132217	L300-M31M12B8-SLM24-PB-UCA	OSSDs	Metal	Connector, M12, 8-pin, metal	From below	High	No	Escape release button
50132215	L300-M31M12L8-SLM24-KYPB-UCA	OSSDs	Metal	Connector, M12, 8-pin, metal	On left side	High	No	Auxiliary release with lock, escape release button
50132219	L300-M31M12L8-SLM24-PB-UCA	OSSDs	Metal	Connector, M12, 8-pin, metal	On left side	High	No	Escape release button
50132214	L300-M31M12R8-SLM24-KYPB-UCA	OSSDs	Metal	Connector, M12, 8-pin, metal	On right side	High	No	Auxiliary release with lock, escape release button
50132218	L300-M31M12R8-SLM24-PB-UCA	OSSDs	Metal	Connector, M12, 8-pin, metal	On right side	High	No	Escape release button
50132036	L300-M31C3-SLM24-SCA	OSSDs	Metal	Terminal, spring-cage terminal, 16-pin	3x, M20 × 1.5	Low	No	
50132044	L300-M31C3-SLM24-KYPB-SCA	OSSDs	Metal	Terminal, spring-cage terminal, 16-pin	3x, M20 × 1.5	Low	No	Auxiliary release with lock, escape release button
50132052	L300-M31C3-SLM24-PB-SCA	OSSDs	Metal	Terminal, spring-cage terminal, 16-pin	3x, M20 × 1.5	Low	No	Escape release button
50132037	L300-M31M12B8-SLM24-SCA	OSSDs	Metal	Connector, M12, 8-pin, metal	From below	Low	No	
50132039	L300-M31M12L8-SLM24-SCA	OSSDs	Metal	Connector, M12, 8-pin, metal	On left side	Low	No	

Note: Actuators are included in delivery!

Switching sensors

Measuring sensors

Products for safety at work

Identification

Data transmission / Control components

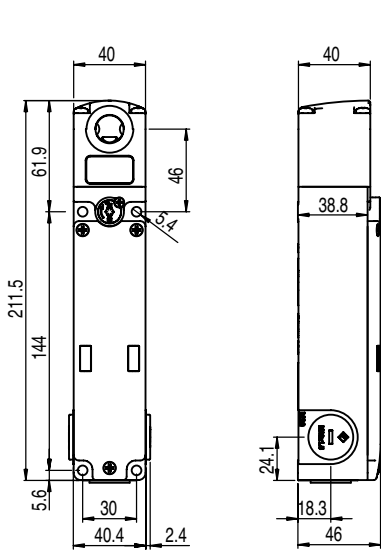
Industrial image processing

Accessories

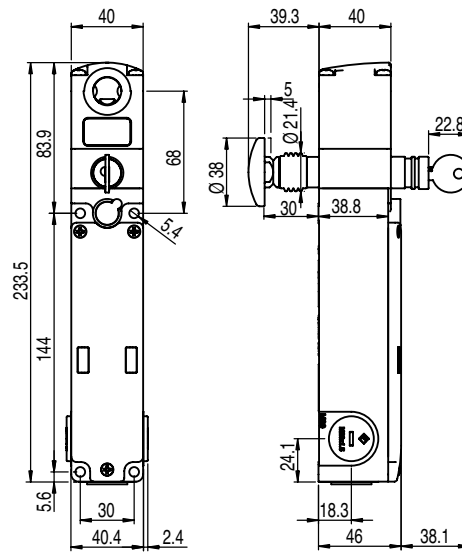
Part no.	Part description	Contact allocation	Housing material	Connection	Cable entry	Encoding level	Teach input for actuator	Release device
50132038	L300-M31M12R8-SLM24-SCA	OSSDs	Metal	Connector, M12, 8-pin, metal	On right side	Low	No	
50132045	L300-M31M12B8-SLM24-KYPB-SCA	OSSDs	Metal	Connector, M12, 8-pin, metal	From below	Low	No	Auxiliary release with lock, escape release button
50132053	L300-M31M12B8-SLM24-PB-SCA	OSSDs	Metal	Connector, M12, 8-pin, metal	From below	Low	No	Escape release button
50132047	L300-M31M12L8-SLM24-KYPB-SCA	OSSDs	Metal	Connector, M12, 8-pin, metal	On left side	Low	No	Auxiliary release with lock, escape release button
50132056	L300-M31M12L8-SLM24-PB-SCA	OSSDs	Metal	Connector, M12, 8-pin, metal	On left side	Low	No	Escape release button
50132046	L300-M31M12R8-SLM24-KYPB-SCA	OSSDs	Metal	Connector, M12, 8-pin, metal	On right side	Low	No	Auxiliary release with lock, escape release button
50132054	L300-M31M12R8-SLM24-PB-SCA	OSSDs	Metal	Connector, M12, 8-pin, metal	On right side	Low	No	Escape release button

Note: Actuators are included in delivery!

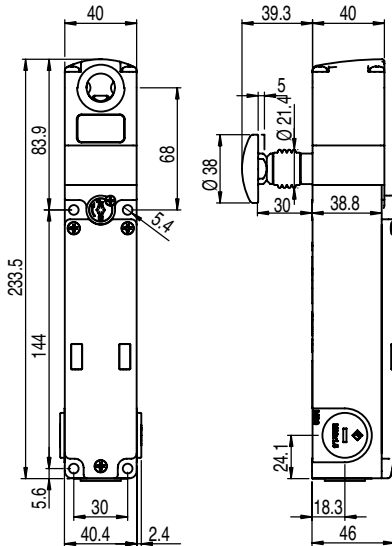
Dimensioned drawings: L300



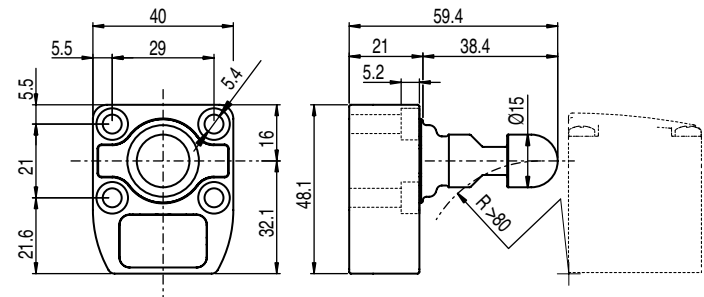
L300-MxxC3-xxxx safety locking device



L300-MxxC3-xxxx-KYPB safety locking device



L300-MxxC3-xxxx-PB safety locking device



AC-L300-xCA actuator

ACCESSORIES: L300

Connection technology

Connection cables

Part no.	Part description	Connection 1	No. of pins	Cable length	Sheathing material
678060	CB-M12-5000E-8GF	Connector, M12, axial, female	8-pin	5,000 mm	PUR
678061	CB-M12-10000E-8GF	Connector, M12, axial, female	8-pin	10,000 mm	PUR
678062	CB-M12-15000E-8GF	Connector, M12, axial, female	8-pin	15,000 mm	PUR
678063	CB-M12-25000E-8GF	Connector, M12, axial, female	8-pin	25,000 mm	PUR

Further connection cables can be found on our website

Actuator

Part no.	Part description	Type of fastening	Code type	Encoding level
50132061	AC-L300-SCA	Through-hole mounting	Standard code	Low
50132062	AC-L300-UCA	Through-hole mounting	Unique code	High

Mounting

Part no.	Part description	Description	Dimension
50132063	AC-L300-PB30	Extension	13 mm × 30 mm
50132064	AC-L300-PB40	Extension	13 mm × 40 mm
50132065	AC-L300-PB50	Extension	13 mm × 50 mm
50132066	AC-L300-PB60	Extension	13 mm × 60 mm

Switching
sensors

Measuring
sensors

Products for
safety at work

Identification

Data transmission /
Control components

Industrial image
processing

Accessories